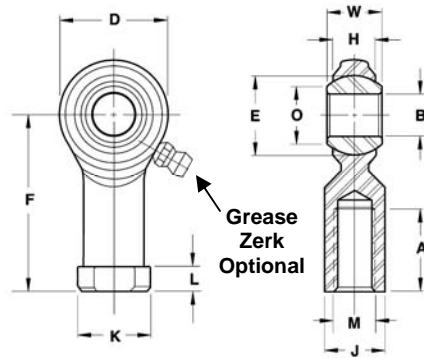


| ISO 9001:2000 | DIMENSIONS |       |       |       |       |       |       |       |               | LOAD RATING | WT.  |
|---------------|------------|-------|-------|-------|-------|-------|-------|-------|---------------|-------------|------|
| Part Number   | B          | D     | H     | W     | A     | F     | E     | O     | M             | Static      | lbs  |
|               | inch       |       |       |       |       |       |       |       |               | Thread Size |      |
| <b>CM3</b>    | 0.1900     | 0.625 | 0.250 | 0.312 | 0.750 | 1.250 | 0.437 | 0.306 | 0.1900-32UNF  | 950         | 0.03 |
| <b>4</b>      | 0.2500     | 0.750 | 0.281 | 0.375 | 1.000 | 1.562 | 0.515 | 0.353 | 0.2500-28UNF  | 2000        | 0.05 |
| <b>5</b>      | 0.3125     | 0.875 | 0.344 | 0.437 | 1.250 | 1.875 | 0.625 | 0.447 | 0.3125-24INF  | 3000        | 0.08 |
| <b>6</b>      | 0.3750     | 1.000 | 0.406 | 0.500 | 1.250 | 1.938 | 0.718 | 0.516 | 0.3750-24UNF  | 5000        | 0.11 |
| <b>CM7</b>    | 0.4375     | 1.125 | 0.437 | 0.562 | 1.375 | 2.125 | 0.812 | 0.586 | 0.4375-20-UNF | 6500        | 0.16 |
| <b>8</b>      | 0.5000     | 1.312 | 0.500 | 0.625 | 1.500 | 2.438 | 0.937 | 0.698 | 0.5000-20UNF  | 9500        | 0.24 |
| <b>10</b>     | 0.6250     | 1.500 | 0.562 | 0.750 | 1.625 | 2.625 | 1.125 | 0.839 | 0.6250-18UNF  | 10000       | 0.40 |
| <b>12</b>     | 0.7500     | 1.750 | 0.687 | 0.875 | 1.750 | 2.875 | 1.312 | 0.978 | 0.7500-16UNF  | 14000       | 0.63 |
| <b>CM3L</b>   | 0.1900     | 0.625 | 0.250 | 0.312 | 0.750 | 1.250 | 0.437 | 0.306 | 0.1900-32UNF  | 950         | 0.03 |
| <b>4L</b>     | 0.2500     | 0.750 | 0.281 | 0.375 | 1.000 | 1.562 | 0.515 | 0.353 | 0.2500-28UNF  | 2000        | 0.05 |
| <b>5L</b>     | 0.3125     | 0.875 | 0.344 | 0.437 | 1.250 | 1.875 | 0.625 | 0.447 | 0.3125-24INF  | 3000        | 0.08 |
| <b>6L</b>     | 0.3750     | 1.000 | 0.406 | 0.500 | 1.250 | 1.938 | 0.718 | 0.516 | 0.3750-24UNF  | 5000        | 0.11 |
| <b>CM7L</b>   | 0.4375     | 1.125 | 0.437 | 0.562 | 1.375 | 2.125 | 0.812 | 0.586 | 0.4375-20-UNF | 6500        | 0.16 |
| <b>8L</b>     | 0.5000     | 1.312 | 0.500 | 0.625 | 1.500 | 2.438 | 0.937 | 0.698 | 0.5000-20UNF  | 9500        | 0.24 |
| <b>10L</b>    | 0.6250     | 1.500 | 0.562 | 0.750 | 1.625 | 2.625 | 1.125 | 0.839 | 0.6250-18UNF  | 10000       | 0.40 |
| <b>12L</b>    | 0.7500     | 1.750 | 0.687 | 0.875 | 1.750 | 2.875 | 1.312 | 0.978 | 0.7500-16UNF  | 14000       | 0.63 |

**OTHER ROD ENDS AVAILABLE, INCLUDING SPHERICAL PLAIN BEARINGS**



| ISO 9001:2000 | DIMENSIONS |       |       |       |       |       |       |       |       |       |       |             | LOAD RATING | WT.  |
|---------------|------------|-------|-------|-------|-------|-------|-------|-------|-------|-------|-------|-------------|-------------|------|
| Part Number   | B          | D     | H     | W     | A     | F     | E     | O     | J     | K     | L     | M           | Static      | lbs  |
|               | inch       |       |       |       |       |       |       |       |       |       |       | Thread Size | Cor (lb)    |      |
| <b>CF3</b>    | 0.190      | 0.625 | 0.250 | 0.312 | 0.562 | 1.062 | 0.437 | 0.306 | 0.312 | 0.406 | 0.187 | 0.190-32UNF | 2000        | 0.03 |
| <b>4</b>      | 0.250      | 0.750 | 0.281 | 0.375 | 0.750 | 1.312 | 0.515 | 0.353 | 0.375 | 0.468 | 0.187 | 0.250-28UNF | 3200        | 0.05 |
| <b>5</b>      | 0.313      | 0.875 | 0.344 | 0.437 | 0.750 | 1.375 | 0.625 | 0.447 | 0.437 | 0.500 | 0.187 | 0.312-24UNF | 3800        | 0.08 |
| <b>6</b>      | 0.375      | 1.000 | 0.406 | 0.500 | 0.937 | 1.625 | 0.718 | 0.516 | 0.562 | 0.687 | 0.250 | 0.375-24UNF | 5000        | 0.12 |
| <b>CF7</b>    | 0.438      | 1.125 | 0.437 | 0.562 | 1.062 | 1.812 | 0.812 | 0.566 | 0.625 | 0.750 | 0.250 | 0.437-20UNF | 6500        | 0.17 |
| <b>8</b>      | 5.000      | 1.312 | 0.500 | 0.625 | 1.187 | 2.125 | 0.937 | 0.698 | 0.750 | 0.875 | 0.250 | 0.500-20UNF | 9500        | 0.26 |
| <b>10</b>     | 0.625      | 1.500 | 0.562 | 0.750 | 1.500 | 2.500 | 1.125 | 0.839 | 0.875 | 1.000 | 0.312 | 0.625-18UNF | 10000       | 0.41 |
| <b>12</b>     | 0.750      | 1.750 | 0.687 | 0.875 | 1.750 | 2.875 | 1.312 | 0.978 | 1.000 | 1.125 | 0.312 | 0.750-16UNF | 14000       | 0.64 |
| <b>CF3L</b>   | 0.190      | 0.625 | 0.250 | 0.312 | 0.562 | 1.062 | 0.437 | 0.306 | 0.312 | 0.406 | 0.187 | 0.190-32UNF | 2000        | 0.03 |
| <b>4L</b>     | 0.250      | 0.750 | 0.281 | 0.375 | 0.750 | 1.312 | 0.515 | 0.353 | 0.375 | 0.468 | 0.187 | 0.250-28UNF | 3200        | 0.05 |
| <b>5L</b>     | 0.313      | 0.875 | 0.344 | 0.437 | 0.750 | 1.375 | 0.625 | 0.447 | 0.437 | 0.500 | 0.187 | 0.312-24UNF | 3800        | 0.08 |
| <b>6L</b>     | 0.375      | 1.000 | 0.406 | 0.500 | 0.937 | 1.625 | 0.718 | 0.516 | 0.562 | 0.687 | 0.250 | 0.375-24UNF | 5000        | 0.12 |
| <b>CF7L</b>   | 0.438      | 1.125 | 0.437 | 0.562 | 1.062 | 1.812 | 0.812 | 0.566 | 0.625 | 0.750 | 0.250 | 0.437-20UNF | 6500        | 0.17 |
| <b>8L</b>     | 5.000      | 1.312 | 0.500 | 0.625 | 1.187 | 2.125 | 0.937 | 0.698 | 0.750 | 0.875 | 0.250 | 0.500-20UNF | 9500        | 0.26 |
| <b>10L</b>    | 0.625      | 1.500 | 0.562 | 0.750 | 1.500 | 2.500 | 1.125 | 0.839 | 0.875 | 1.000 | 0.312 | 0.625-18UNF | 10000       | 0.41 |
| <b>12L</b>    | 0.750      | 1.750 | 0.687 | 0.875 | 1.750 | 2.875 | 1.312 | 0.978 | 1.000 | 1.125 | 0.312 | 0.750-16UNF | 14000       | 0.64 |